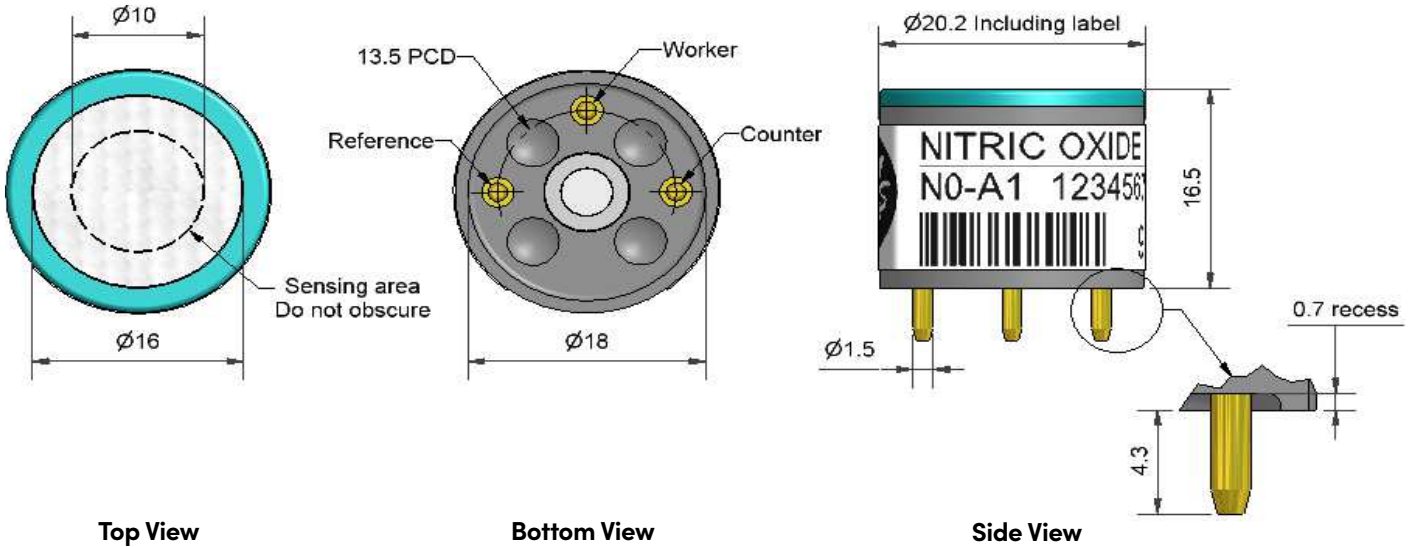


## NO-A1 Nitric Oxide sensor



Dimensions are in millimetres ( $\pm 0.1$  mm).

<b>Performance</b>	Sensitivity	nA/ppm in 50ppm NO	320 to 480
	Response time	$t_{90}$ (s) from zero to 50ppm NO	< 45
	Zero current	ppm equivalent in zero air	0 to +2
	Resolution	RMS noise (ppm equivalent)	< 0.2
	Range	ppm NO limit of performance warranty	250
	Linearity	ppm error at full scale, linear at zero and 50ppm NO	+15 to +25
	Overgas limit	maximum ppm for stable response to gas pulse	800
<b>Lifetime</b>	Zero drift	ppm equivalent change/year in lab air	< 0.3
	Sensitivity drift	% change/year in lab air, monthly test	< 5
	Operating life	months until 80% original signal (24 month warranted)	> 24
<b>Environmental</b>	Sensitivity @ -20°C	% (output @ -20°C/output @ 20°C) @ 50ppm	78 to 90
	Sensitivity @ 50°C	% (output @ 50°C/output @ 20°C) @ 50ppm	98 to 104
	Zero @ -20°C	ppm equivalent change from 20°C	< 0 to -1
	Zero @ 50°C	ppm equivalent change from 20°C	< 3 to 16
<b>Cross sensitivity</b>	H <sub>2</sub> S sensitivity	% measured gas @ 20ppm H <sub>2</sub> S	< 10
	NO <sub>2</sub> sensitivity	% measured gas @ 50ppm NO <sub>2</sub>	< 2
	Cl <sub>2</sub> sensitivity	% measured gas @ 10ppm Cl <sub>2</sub>	< 1
	SO <sub>2</sub> sensitivity	% measured gas @ 20ppm SO <sub>2</sub>	< 3
	H <sub>2</sub> sensitivity	% measured gas @ 400ppm H <sub>2</sub>	< 0.1
	CO sensitivity	% measured gas @ 400ppm CO	< 0.1
	NH <sub>3</sub> sensitivity	% measured gas @ 20ppm NH <sub>3</sub>	< 0.1
	CO <sub>2</sub> sensitivity	% measured gas @ 5% Vol CO <sub>2</sub>	< 0.1
<b>Key specifications</b>	Bias voltage	mV (working electrode potential is above ground)	+300
	Temperature range	°C	-30 to 50
	Pressure range	kPa	80 to 120
	Humidity range	% rh continuous	15 to 90
	Storage period	months @ 3 to 20°C (stored in sealed pot)	6
	Load resistor	$\Omega$ (recommended)	10 to 47
	Weight	g	< 6

**Figure 1 Sensitivity Temperature Dependence**

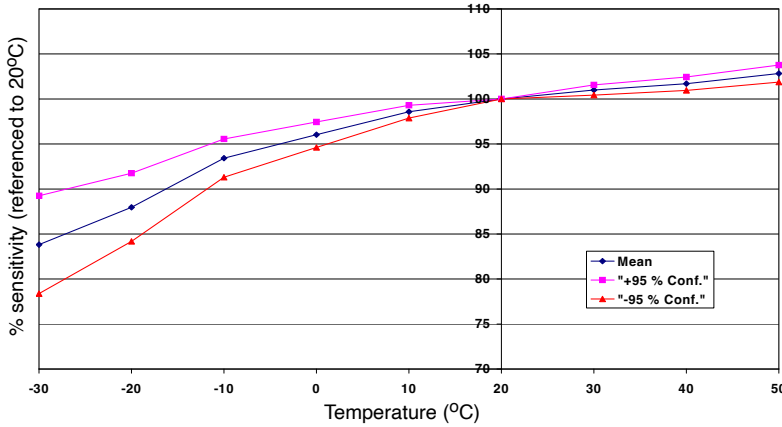


Figure 1 shows the variation in sensitivity caused by changes in temperature.

This data is taken from a typical batch of sensors. The mean and  $\pm 95\%$  confidence intervals are shown.

**Figure 2 Zero Temperature Dependence**

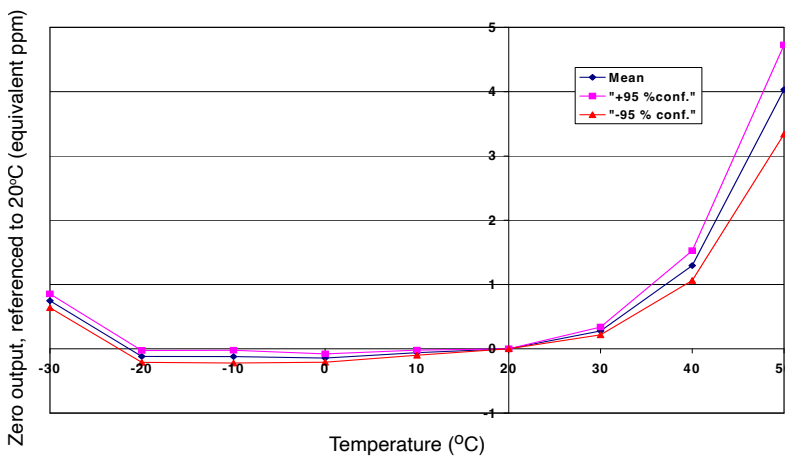
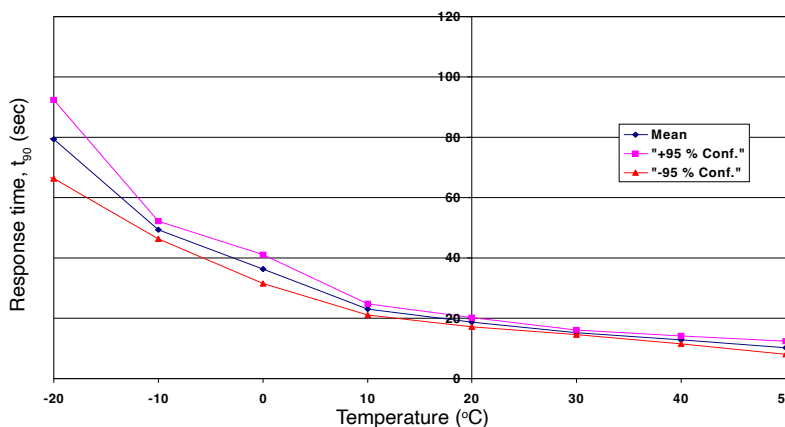


Figure 2 shows the variation in zero output caused by changes in temperature, expressed as ppm gas equivalent, referenced to zero at 20°C.

This data is taken from a typical batch of sensors. The mean and  $\pm 95\%$  confidence intervals are shown.

**Figure 3 Response Time( $t_{90}$ ) Temperature Dependence**



Sensor response time increases as temperature decreases. Alphasense response time ( $t_{90}$ ) is measured at 20°C.

At the end of the product's life, do not dispose of any electronic sensor, component or instrument in the domestic waste, but contact the instrument manufacturer, Alphasense or its distributor for disposal instructions. NOTE: All sensors are tested at ambient environmental conditions, with 10 ohm load resistor, unless otherwise stated. As applications of use are outside our control, the information provided is given without legal responsibility. Customers should test under their own conditions, to ensure that the sensors are suitable for their own requirements.

In the interest of continued product improvement, we reserve the right to change design features and specifications without prior notification. The data contained in this document is for guidance only. Alphasense Ltd accepts no liability for any consequential losses, injury or damage resulting from the use of this document or the information contained within. (©ALPHASENSE LTD) Doc. Ref. NO-A1/SEP22